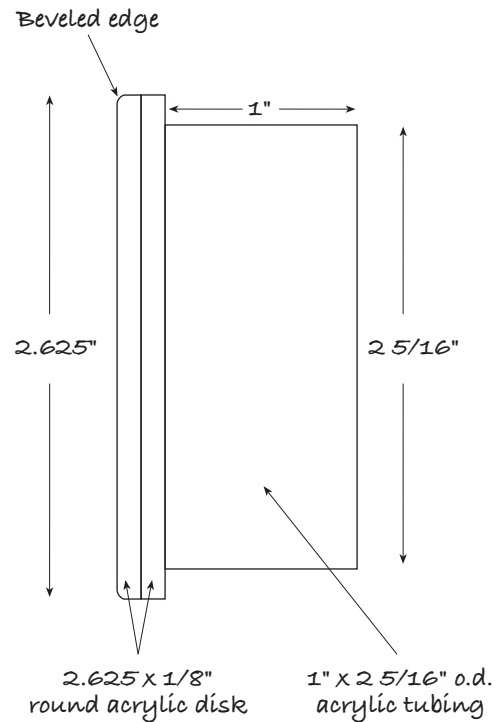


Cromodora Center Cap



The 2.625" x 1/8" round acrylic disks are glued together with the SAAB sticker between them and then this assembly is glued to the 1" x 2 5/16" o.d. acrylic tube. The tube slides into the wheel opening and is epoxied in place.

SAAB PARKING ONLY



ALL OTHERS WILL BE TOWED

TO THE NEAREST SALVAGE YARD TO BE STRIPPED, CRUSHED, MELTED DOWN AND SHIPPED TO SWEDEN TO MAKE MORE SAABS